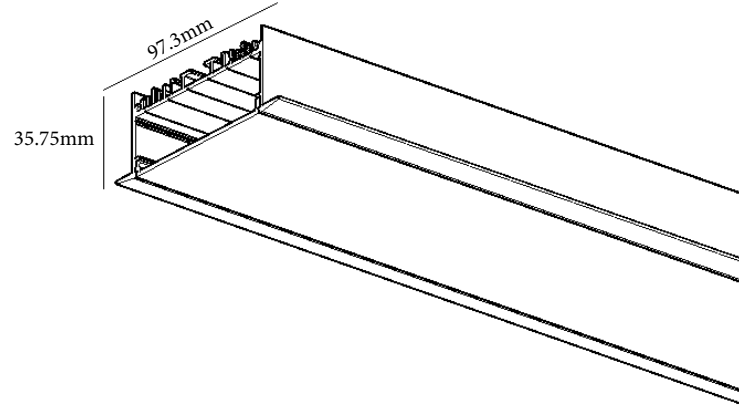


**COMI** - Item Code PLD700



## Product Specifications

### General Information

Product Code	PLD700
Body	Extruded Aluminium
Number of light source	3
Light source color	2700K -> 6000K
Cap-Base	6cm
Light source replaceable	Yes
Luminaire light beam	120°

Suspension System	-
Protection	IP40
Space	Indoor
Mounting	Recessed
Trimless	N / A
Warranty Period	2 years

### Physical Specifications

Structure	Extruded Aluminium
Reflector	N/A
Optical Cover	PC Opal / Microprismatic
Fixation material	Aluminium/Stainless Steel
Length	On Request
Height	35.75mm
Width	97.3mm

Finish	Natural Aluminium/RAL
Weight	-
Body	Extruded Aluminium
Diffuser	PC Opal / Microprismatic
UV Protection	Yes

**Electrical Specifications**

Input Voltage	220 - 240 V
Input Frequency	50 - 60 hz
Dimmable	On request
Output	12 - 24V
Factor of protection	IP20-IP67
Power Factor	-
Power	-

**Performance**

Power	12W-45W/m
Luminous Flux	1320lm-4950lm/m
Luminous flux tolerance	10%
Colour Temperature	2700K -> 6000K
Colour Rendering Index	≥80
LED Luminaire Efficacy	110lm / W

**Lamp Specifications**

Lamp Type	LED
LED Chip	SAMSUNG
Luminous Flux	440-1650lm / m
Power	4W-15W/m
Colour Temperature	2700K -> 6000K
Length	3cm -> 50cm
Width	0.8cm

**Options**

Length	On request
Finish	RAL on request
Dimmable	Yes / No
Trimless	On request
Colour Temperature	2700K -> 6000K
Power / Luminous Flux	1320lm-4950lm/m
IP Rate	IP44

**Remarks**

Customized length
Angular shapes
RGB version