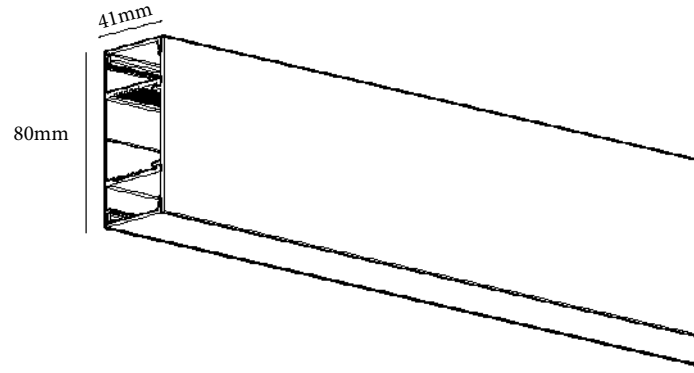


SEM - Item Code PLD310



Product Specifications

General Information

Product Code	PLD310
Body	Extruded Aluminium
Number of light source	2
Light source color	2700K -> 6000K
Cap-Base	6cm
Light source replaceable	Yes
Luminaire light beam	120°

Suspension System	2 set wire
Protection	IP40
Space	Indoor
Mounting	Surface mounted/Suspended
Trimless	N/A
Warranty Period	2 years

Physical Specifications

Structure	Extruded Aluminium
Reflector	N/A
Optical Cover	PC Opal/Microprimastic
Fixation material	Aluminium/Stainless Steel
Length	On Request
Height	85mm
Width	41mm

Finish	Natural Aluminium/RAL
Weight	-
Body	Extruded Aluminium
Diffuser	PC Opal/Microprimastic
UV Protection	Yes

Electrical Specifications

Input Voltage	220 - 240 V
Input Frequency	50 - 60 hz
Dimmable	On request
Output	12 / 24V
Factor of protection	IP20-IP67
Power Factor	-
Power	-

Performance

Power	2x4W-30W/m
Luminous Flux	2x440lm-3300lm/m
Luminous flux tolerance	10%
Colour Temperature	2700K -> 6000K
Colour Rendering Index	≥80
LED Luminaire Efficacy	110lm / W

Lamp Specifications

Lamp Type	LED
LED Chip	SAMSUNG
Luminous Flux	440-3300lm / m
Power	4W-30W/m
Colour Temperature	2700K -> 6000K
Length	3cm -> 50cm
Width	0.8cm

Options

Length	On request
Finish	RAL on request
Dimmable	Yes / No
Trimless	On request
Colour Temperature	2700K -> 6000K
Power / Luminous Flux	440lm-3300lm/m
IP Rate	IP44

Remarks

Customized length
Angular shapes
RGB version